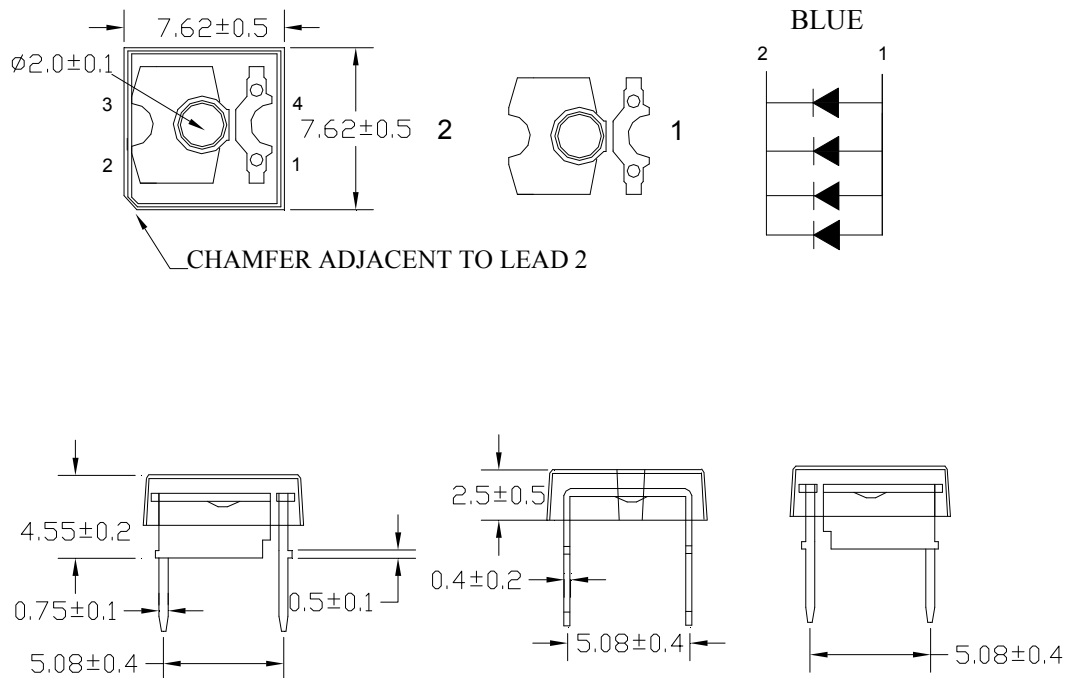


➤ **Fatures/特征:**

- Single color/单色
- High bright output/高亮度输出
- High Current Operation/高工作电流
- Low power consumption/低功耗
- High reliability and long life
可靠性高、寿命长

➤ **Descriptions:**

- Dice material:
B: InGaN
- Device Outline: 7.62mmX7.62mm
- Lens Type: White Diffused/无色散射



NOTE:

1. All dimensions are millimeters/单位: mm.
2. Tolerance is ± 0.25 mm unless otherwise noted/
没有标注的公差均为 ± 0.25 mm.

➤ **Absolute maximum ratings/极限参数 (Ta = 25°C)**

Parameter 参数	Symbol 符号	Test Condition 测试条件	Values 数值		Unit 单位
			Min.	Max.	
Reverse Voltage 反向电压	V _R	I _R = 30 μ A	5	----	V
Forward Current 正向工作电流	I _F	----	----	70	mA
Power Dissipation 损耗功率	P _d	----	----	190	mW
Pulse Current 正向峰值电流	I _{peak}	Duty=0.1mS, 1kHz	----	150	mA
Operating Temperature 工作温度范围	T _{opr}	----	-40	+85	°C
Storage Temperature 储存温度范围	T _{str}	----	-40	+100	°C

➤ **Electrical and optical characteristics/光电参数 (Ta = 25°C)**

Parameter 参数	Symbol 符号	Test Condition 测试条件	Values 数值			Unit 单位
			Min.	Typ.	Max.	
Forward Voltage 正向电压	V _F	I _F = 80mA	----	4.0	4.5	V
Reverse Current 反向电流	I _R	V _R = 5V	----	----	30	μ A
Dominate Wavelength 主波长	λ _d	I _F = 80mA	----	470	----	nm
Peak Wavelength 峰值波长	λ _p	I _F = 80mA	----	472	----	nm
Spectral Line half-width 半波长宽度	Δ λ	I _F = 80mA	----	20	----	nm
Luminous Flux 光通量	I _v	I _F = 80mA	1.3	2.0	----	lm

➤ **Typical electrical/optical characteristic curves/光电特性曲线:**

